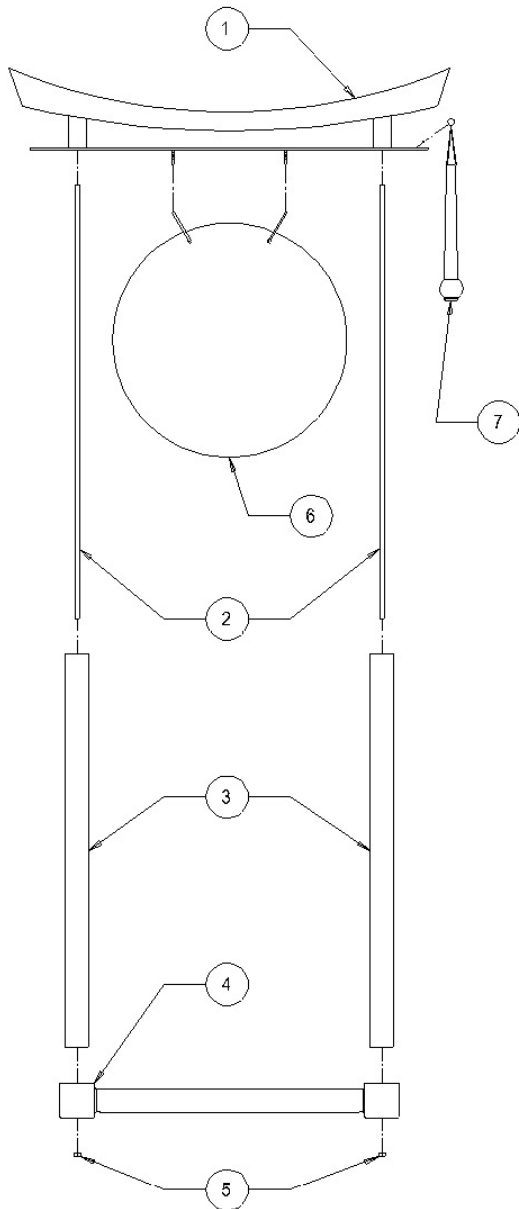


Assembly Instructions Torii Garden Gong™ TGG



Components

- 1) Top
- 2) Two Threaded Rods
- 3) Two Uprights
- 4) Base
- 5) Two Hex Nuts
- 6) Gong
- 7) Mallet

Assembly

- 1) Lay the top (1) flat on one side and thread the threaded rods (2) hand tight into the holes where indicated.
- 2) Slide one upright (3) over each of the threaded rods (2) until the rod projects out the opposite end of the uprights.
- 3) Place the base (4) with two of the square ends on the ground and the small holes facing the ends of the threaded rods (2).
- 4) Lift the uprights (3), and slip the ends of the threaded rods (2) into the holes in the base (4).
- 5) Thread one of the hex nuts (5) onto each end of the threaded rods (2) projecting from the bottom of the base.
- 6) Tighten the hex nuts using a suitable wrench.
- 7) Stand up the assembled frame and hang the gong (6) and mallet (7) where indicated.



Woodstock Chimes®
Shokan, NY 12481-5124
woodstock@chimes.com
www.chimes.com

©2008 WPI
Rev. 05/22/08
File # 2107INS052108