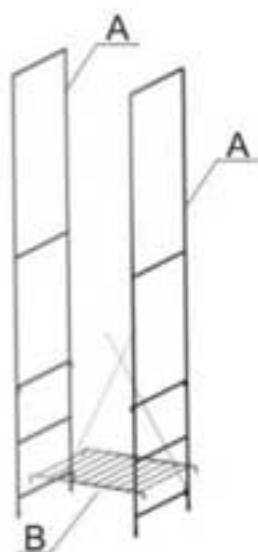
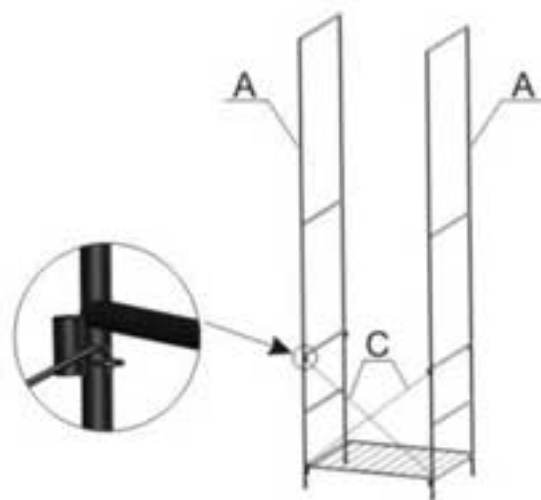


# WOODSTOCK SMALL ARBOR DISPLAY (WACDS)

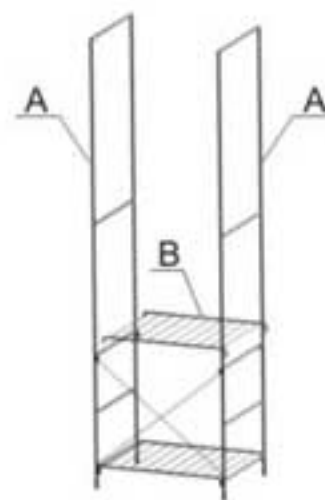
## ASSEMBLY INSTRUCTION



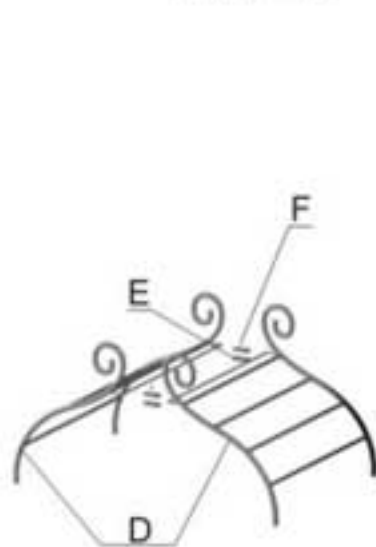
**STEP 1**



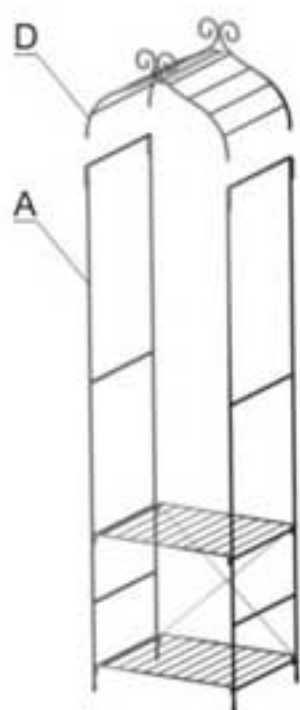
**STEP 2**



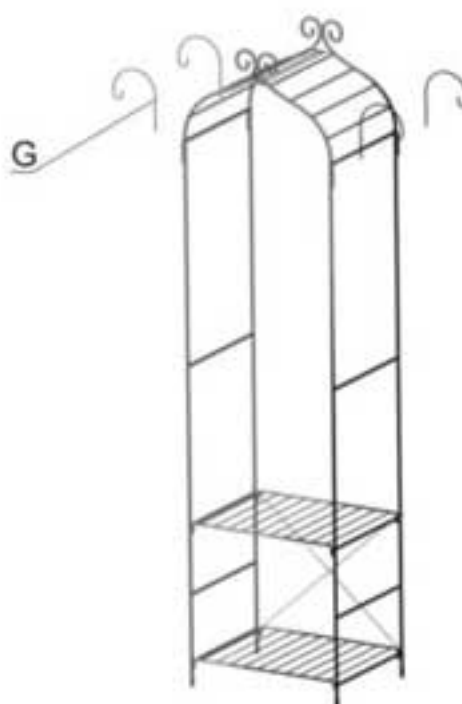
**STEP 3**



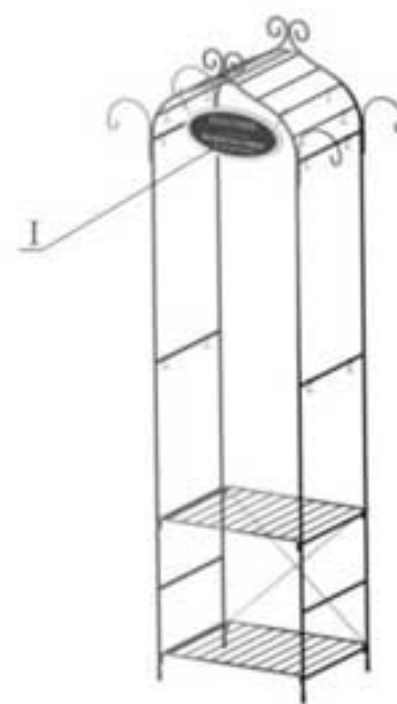
**STEP 4**



**STEP 5**



**STEP 6**



**STEP 7**

**PARTS LIST:**

A: Support panel	2pcs	E: Connector	2pcs
B: Shelf grid	2pcs	F: Bolt	2pcs
C: Diagonal braces (attached to support panels)	2pcs	G: Hook	4pcs
D: Top frame	2pcs	H: S-hook	26pcs
		I: Display sign (If ordered, shipped in separate carton)	1pc

**ASSEMBLY :**

**STEP1:** Insert one of the shelf grids (B) into the bottom location on the support panels (A).

**STEP2:** Attach the loose ends of the 2 diagonal braces (C) into the upper rings on the opposite support panels (A).

**STEP3:** Insert the other shelf grid (B) into the upper location on the support panels (A).

**STEP4:** Attach 2 top frames (D) together with 2 connectors (E) and 2 bolts (F).

**STEP5:** Insert the top frames (D) into the support panels (A).

**STEP6:** Insert 4 hooks (G) into the support panels (A).

**STEP7:** If ordered, use 2 S-hooks (H) to hang the display sign (I).



**Woodstock Percussion, Inc.**

Shokan, NY 12481-5124 USA

800-422-4463 • 800-4-A-CHIME • Fax: 800-974-0622

E-mail: woodstock@chimes.com • www.chimes.com

Revision date 09/11/2008

©2008 WPI