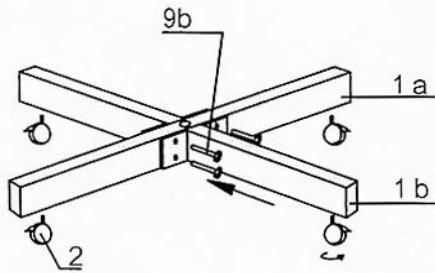


STEP 1



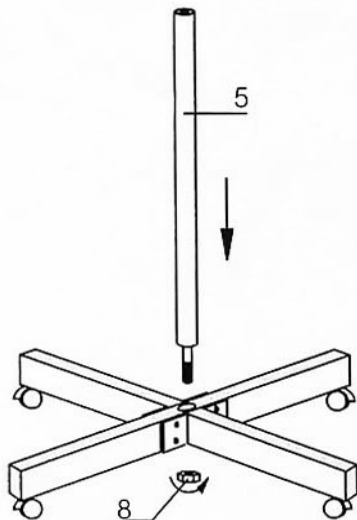
Note: After assembling the base, check that all four rollers are touching the floor. If not, adjust the two opposite rollers by loosening them an equal number of turns until they evenly touch the floor.

ASSEMBLING CHART:

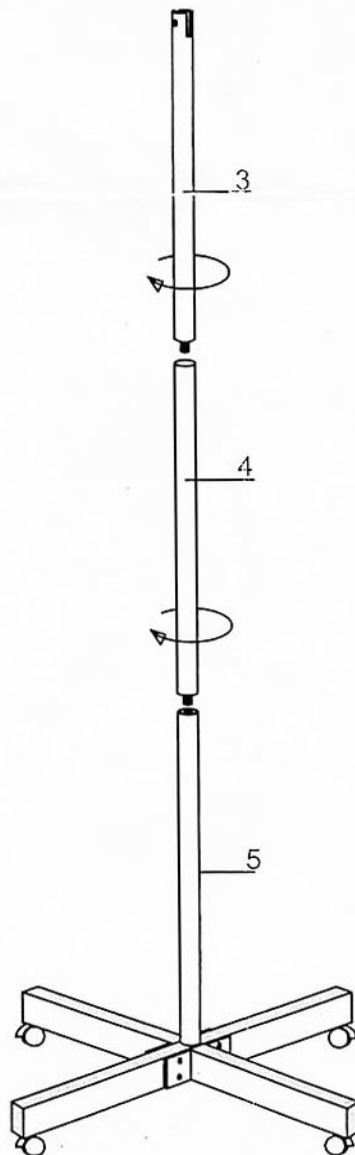
GIANT METAL CHIME DISPLAY

- 1. BASE { a , b }
- 2. ROLLER
- 3. UPPER POLE
- 4. MIDDLE POLE
- 5. LOWER POLE
- 6. SIGHT
- 7. ARMS
- 8. SCREW NUT
- 9. BOLT
  - 9a - S . BOLT
  - 9b - L . BOLT

STEP 2



STEP 3



STEP 4

