

WOODSTOCK BIRDBATH™

ASSEMBLY INSTRUCTIONS

Unpack the birdbath from the box. You should find the following parts:

- | | |
|------------------------|---------------------------|
| 1 Copper bowl | 1 Bell |
| 1 Bowl rest with arch | 1 Butterfly |
| 1 Circular base w/feet | 1 Bag w/extra rubber feet |
| 3 Legs (rods) | |

Step 1: Screw the 3 legs into the circular base in a clockwise direction to create the birdbath stand. Tighten by hand.

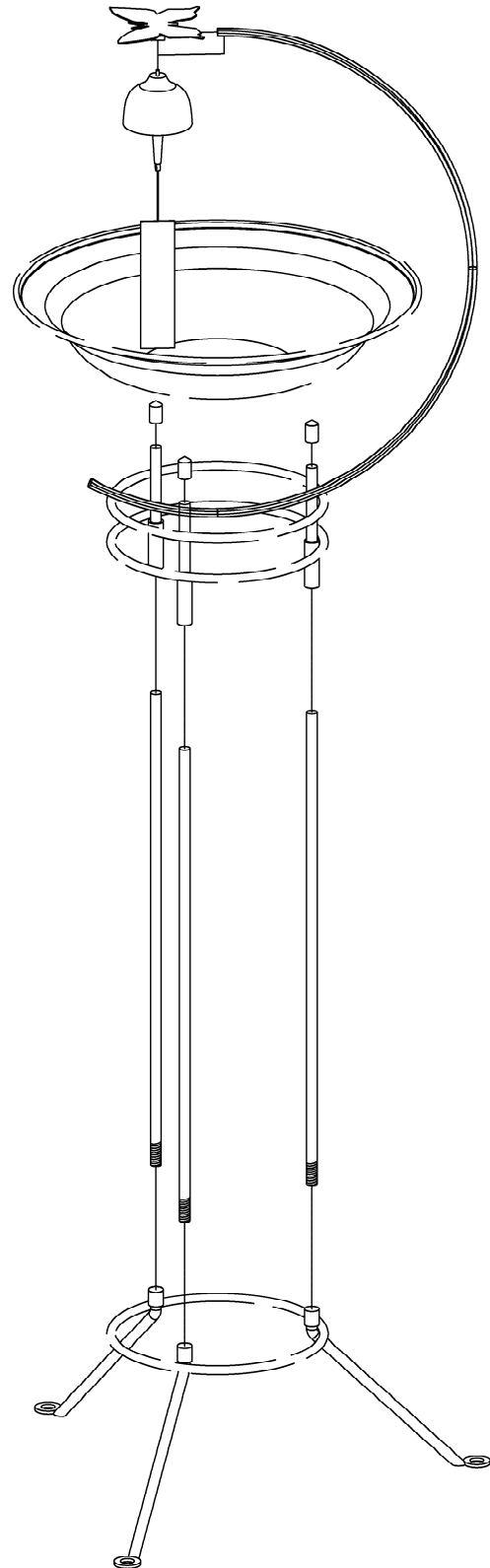
Step 2: Attach the bowl rest to the top of the stand by inserting the three legs into the holes in the bottom of the bowl rest.

Step 3: Attach the bell and butterfly to the end of the arch by screwing the top of the bell halfway into the hole in the base of the butterfly. Then slide the butterfly onto the end of the arch and screw the bell the rest of the way into the butterfly, being sure to catch the notch in the underside of the arch. Hand tighten.

Step 4: Set the bowl on top of the bowl rest and fill with water!

Step 5 (optional): You can secure the birdbath stand by driving stakes through the holes at the bottom of the feet and into the ground or by screwing it down into a deck.

Your birdbath can be easily converted to a tabletop model by removing the bowl rest from the lower portion of the stand. Use the extra rubber feet provided to cushion the bottom of the bowl rest.



Woodstock Percussion, Inc.

Shokan, NY 12481-5124 USA

800-422-4463 • 800-4-A-CHIME • Fax: 800-974-0622 • E-mail: woodstock@chimes.com • www.chimes.com

©2003 WPI